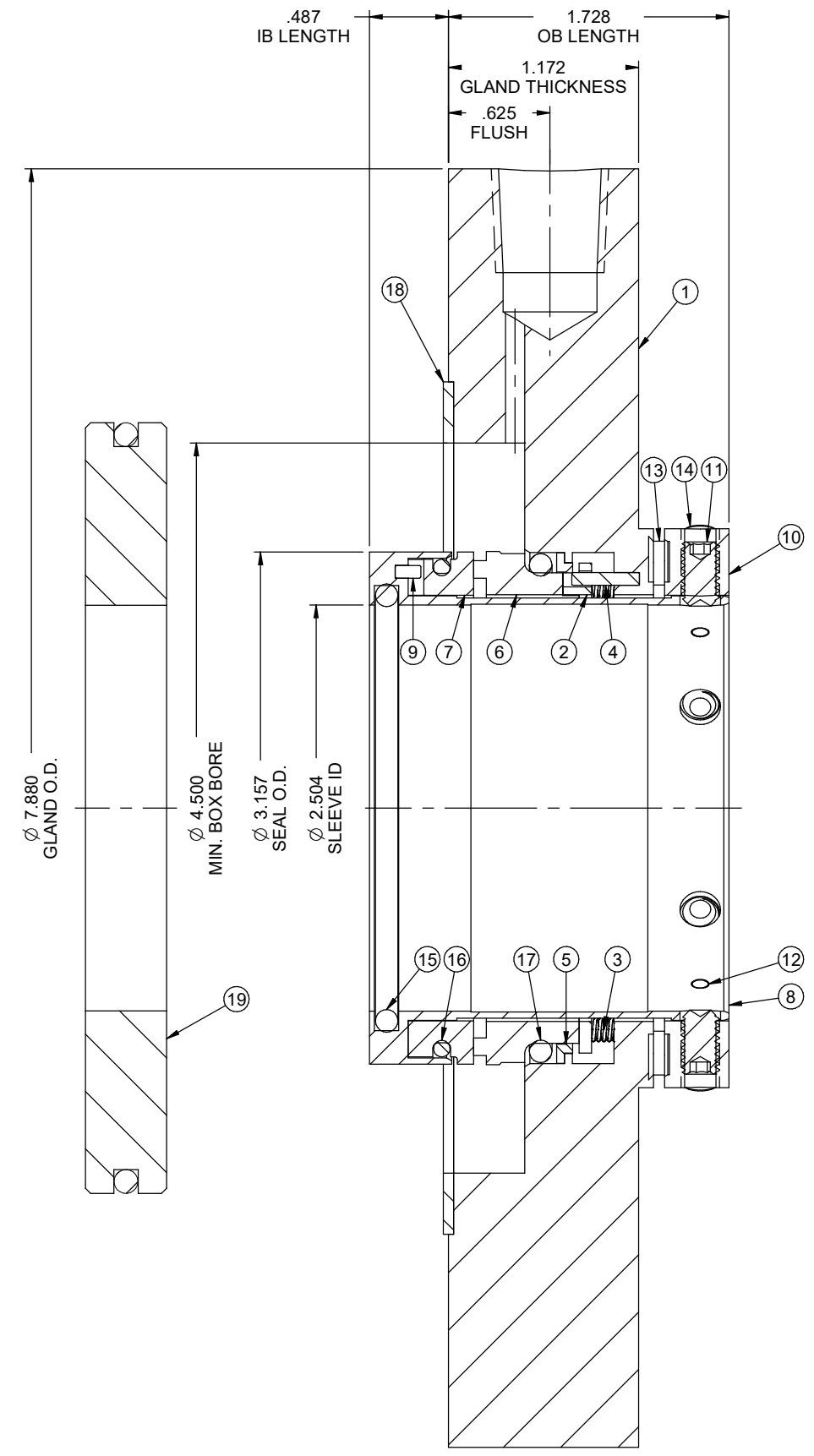


Scale 1:1



SECTION A-A

← END VIEW

Item Number	Title	Part Name	Material	Quantity
1	GLAND PLATE	GP1100+40XXX	Stainless Steel, 316	1
2	THRUST DISK	TD110040	Stainless Steel, 316	1
3	SPRING	I020MP	Hastelloy C	12
4	PIN	HWD-DPM2X10L	Stainless Steel, 316	3
5	BACK UP RING	BU40XXX	Stainless Steel, 316	1
6	STATIONARY FACE	SF100040CBXX	Carbon	1
7	L-SEAT MATING RING	LS100040SCXX	Silicon Carbide	1
8	SLEEVE	SL110040	Stainless Steel, 316	1
9	PIN	HWD-DPM2X4L	Stainless Steel, 316	1
10	DRIVE COLLAR	DC110040	Stainless Steel, 316	1
11	SET SCREW	HWD-SSM6X10L	Stainless Steel, 316	6
12	LOCATOR SCREWS	HWD-LPM4X8LSS	18-8 Stainless	3
13	SETTING PIECE	SPI100XX	Bronze, 90%	3
14	SOCKET HEAD CAP SCREW	HWD-SHCSM4X4L	Stainless steel 18-8	3
15	O-RING	O050V75230	FKM	1
16	O-RING	O050V75150	FKM	1
17	O-RING	O050V75233	FKM	1
18	GASKET	GK1100+40NXXX	NASB	1
19	BOX BUSHING	520 BUSHING	CARBON	1

MFG: GOULDS	<input checked="" type="checkbox"/> PUMP	EQUIPMENT
MODEL: 3196 XLT1	<input type="checkbox"/> COMPRESSOR	
SIZE: 6 X 8 X 13	<input type="checkbox"/> AGITATOR	CUSTOMER
SERIAL NO: 780F845	<input type="checkbox"/> VERTICAL	
CUSTOMER: USS CLAIRTON	<input type="checkbox"/> OTHER	PRODUCT
LOCATION: MAIN WTP 37		
STOCK NO: MS1030+00406XSX77		
USER TAG: 520 - WEST BACKWASH PUMP		
PRODUCT: RAW WATER (RIVER WATER + PC WATER)		
NOTES:		
BARRIER FLUID:		
PLAN: 32 (CITY WATER)		
TEMP: 95° F	SUCT PRESS:	
SP. GR:	DISC PRESS:	
V.P.:	BOX PRESS:	
VISC: CP	RPM: 1750	

A	ZONE	INITIAL DRAWING RELEASE	8/18/20	WAH	BTS
NO.	ZONE	REVISION DESCRIPTION	DATE	BY	CHK
		PART NUMBER: FSI-2857-A (2.50 1030+)			
		TITLE: 2.500" 1030+ BIG BORE MECHANICAL SEAL			
		DATE: 8/18/20		DRAWN: WAH	
		SIZE: 2.500"		CHECKED: BTS	
		SCALE: 2:1		APPROVED:	

THIS DOCUMENT IS OWNED BY FLUID SEALING INTERNATIONAL AND IS LOANED SUBJECT TO RETURN UPON DEMAND ALONG WITH ALL COPIES AND ALL IMPROVEMENTS. IT WILL BE USED IN CONFIDENCE AND NOT BE USED IN ANY WAY DETRIMENTAL TO THE INTEREST OF FLUID SEALING INTERNATIONAL.

FLUID SEALING INTERNATIONAL

