

FLUID SEALING INTERNATIONAL

CUSTOMER DRIVEN. SUPERIOR SOLUTIONS.



Mechanical Seal **SERIES 1015**

ENGINEERED FOR INDUSTRIAL APPLICATIONS

Chemical • Food and Beverage • General Industry • Mining • Power Generation
Pulp and Paper • Steel Production • Water and Waste Treatment



www.worldfsi.net

Mechanical Seal SERIES 1015

Premium-grade construction and reliability without a premium-grade price.

- Use with most ANSI and DIN pumps, other pumps, and rotating equipment
- Springs and pins are isolated from the product to prevent clogging and corrosion
- Factory preset to eliminate installation errors
- Pressure tested to ensure greater sealing reliability
- Flexible stator self-aligning design enables even face loading
- Large flush port for API plan 11, 13, or 32 operation
- Fits standard stuffing boxes – no need to modify the pump
- Also fits big bore seal chambers

Operating Parameters

Temperature range from 0° to 400° F (205° C)

Pressure up to 300 PSI (21 BAR)

Speeds up to 5000 FPM (25 m/s)

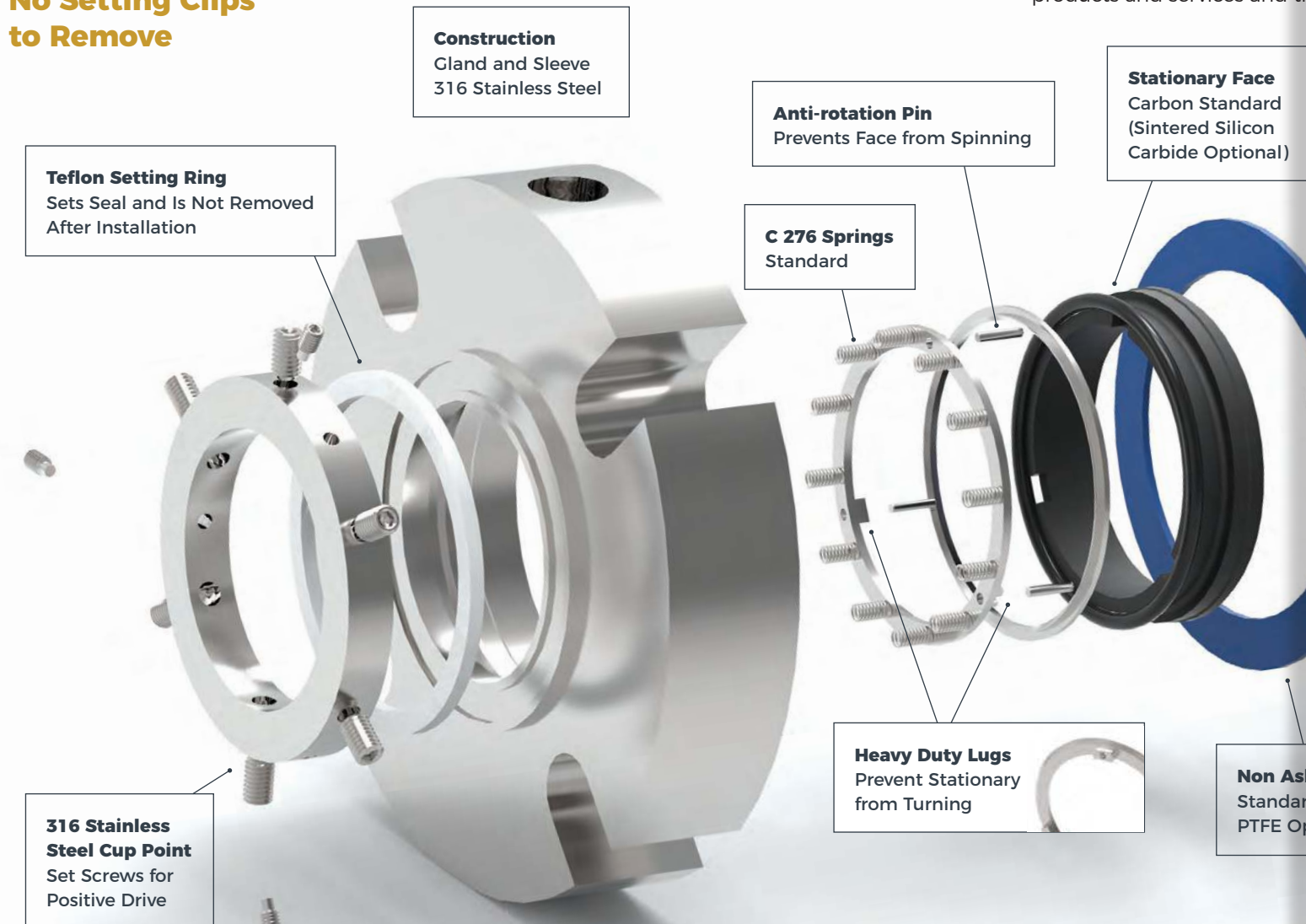
The **FSI Series 1015** is an economic mechanical cartridge seal ideal for industrial use with most ANSI and DIN pumps, as well as with many other pumps and rotating equipment. It handles the most demanding services and fits standard stuffing boxes without modifying the pump. It's also available for big bore seal chambers.



Premium-grade construction is standard, with options for FFKM or EPR elastomers and premium carbon, sintered silicon carbide faces. The FSI Series 1015 features viton elastomers, 316 stainless steel hardware, and a large flush port for API plan 11, 13, or 32 operation. **Its self-aligning stationary design features a flexible stator that enables even face loading, and a four-bolt gland ensures the seal sets axially and radially.**

Cartridge installation is easy – there are no setting clips to remove. Even more, its springs are isolated from the product and are non-clogging. That means they are less susceptible to corrosive damage, resulting in extended seal life. As with all our seals, the FSI Series 1015 is factory preset to eliminate installation errors and pressure tested to ensure greater sealing reliability for your application.

Cartridge Installation Is Easy – There Are No Setting Clips to Remove



Fluid Sealing International ISO 9001:2015

Registration No. 17-102470.1

This quality standard applies to seals, contract manufacturing, gas, commercial, industrial, and

Our certification represents products and services and the



Bad seal? Our Mechanical Repair Services can fix or replace it.

Even the best seal can suffer damage. But why buy new when your reliable seal can be restored to original new-part tolerances? Fluid Sealing International has 25 years' experience repairing all makes and models of mechanical seals.

Our state-of-the-art repair facility:

- Provides a Seal Report Analysis to determine the cause of failure
- Offers engineering and design expertise to upgrade or replace your seal's components
- Repairs your seal to "like new" condition

Following assembly, each and every repaired seal is pressure tested to ensure reliability. Our Mechanical Repair Services not only improve seal life, but can also provide you with significant cost savings. And if we can't fix your seal, our full line of replacement seals can tackle your toughest applications.

To learn more about our Mechanical Repair Services, contact us at **412-865-2101** or www.worldfsi.net/contact-us



Proven Performance • Engineered for Quality and Precision

Fluid Sealing International designs, builds, and services precision sealing systems used in manufacturing, oil and gas pipelines, and most major industries. Whether you need standard mechanical seals or specially engineered custom seals, we can meet your specific needs and requirements.

Count on FSI for customer-driven designs for superior solutions.

Mechanical Seal SERIES 1015

Premium-grade construction and reliability without a premium-grade price.

- Use with most ANSI and DIN pumps, other pumps, and rotating equipment
- Springs and pins are isolated from the product to prevent clogging and corrosion
- Factory preset to eliminate installation errors
- Pressure tested to ensure greater sealing reliability
- Flexible stator self-aligning design enables even face loading
- Large flush port for API plan 11, 13, or 32 operation
- Fits standard stuffing boxes – no need to modify the pump
- Also fits big bore seal chambers

Operating Parameters

Temperature range from 0° to 400° F (205° C)

Pressure up to 300 PSI (21 BAR)

Speeds up to 5000 FPM (25 m/s)

The **FSI Series 1015** is an economic mechanical cartridge seal ideal for industrial use with most ANSI and DIN pumps, as well as with many other pumps and rotating equipment. It handles the most demanding services and fits standard stuffing boxes without modifying the pump. It's also available for big bore seal chambers.



Premium-grade construction is standard, with options for FFKM or EPR elastomers and premium carbon, sintered silicon carbide faces. The FSI Series 1015 features viton elastomers, 316 stainless steel hardware, and a large flush port for API plan 11, 13, or 32 operation. **Its self-aligning stationary design features a flexible stator that enables even face loading, and a four-bolt gland ensures the seal sets axially and radially.**

Cartridge installation is easy – there are no setting clips to remove. Even more, its springs are isolated from the product and are non-clogging. That means they are less susceptible to corrosive damage, resulting in extended seal life. As with all our seals, the FSI Series 1015 is factory preset to eliminate installation errors and pressure tested to ensure greater sealing reliability for your application.



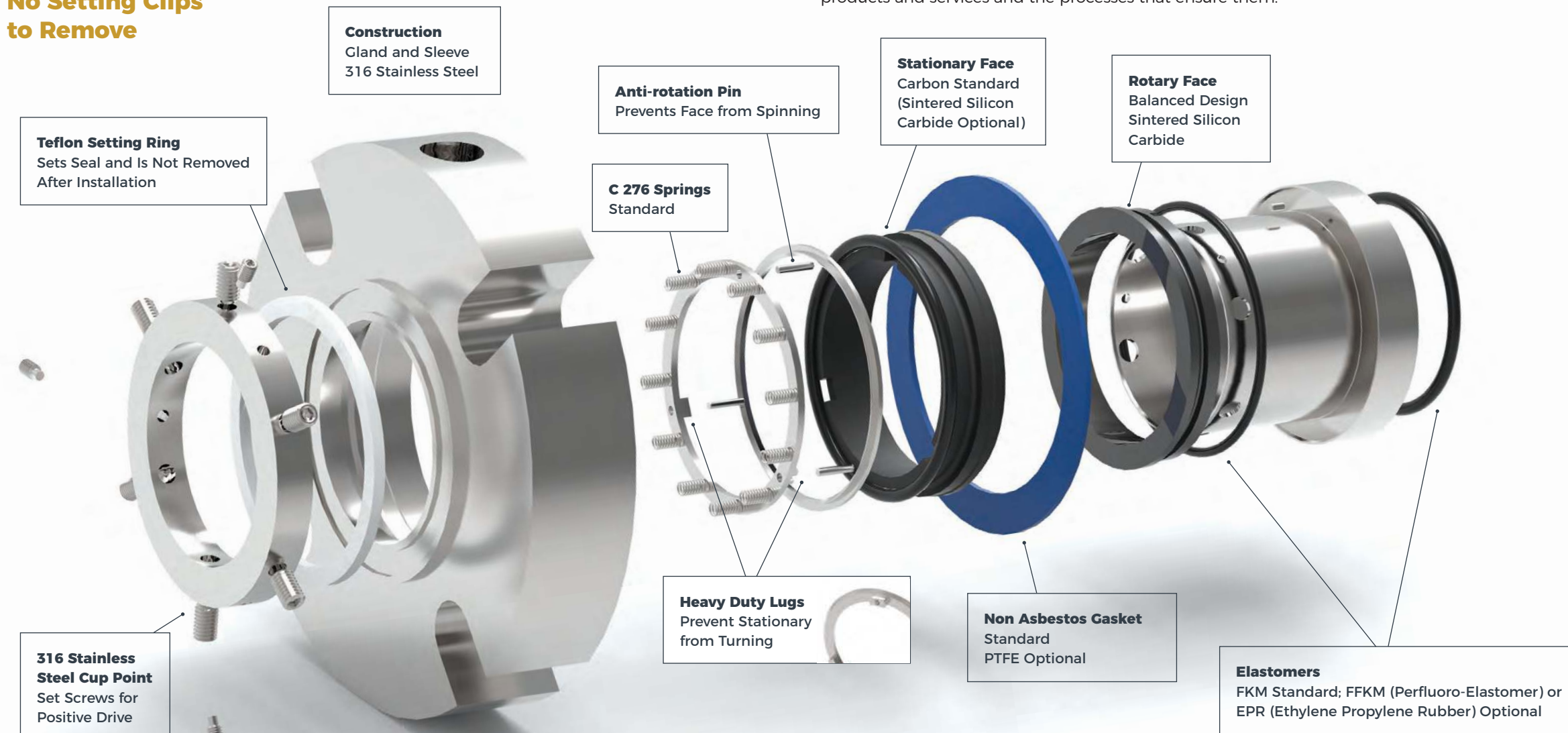
Fluid Sealing International is now a certified ISO 9001:2015 quality management system.

Registration No. 17-102470.1Q

This quality standard applies to the design, manufacture, and service of mechanical seals, contract manufacturing services, and distribution center services for the oil, gas, commercial, industrial, and aerospace industries.

Our certification represents Fluid Sealing International's commitment to quality products and services and the processes that ensure them.

Cartridge Installation Is Easy – There Are No Setting Clips to Remove



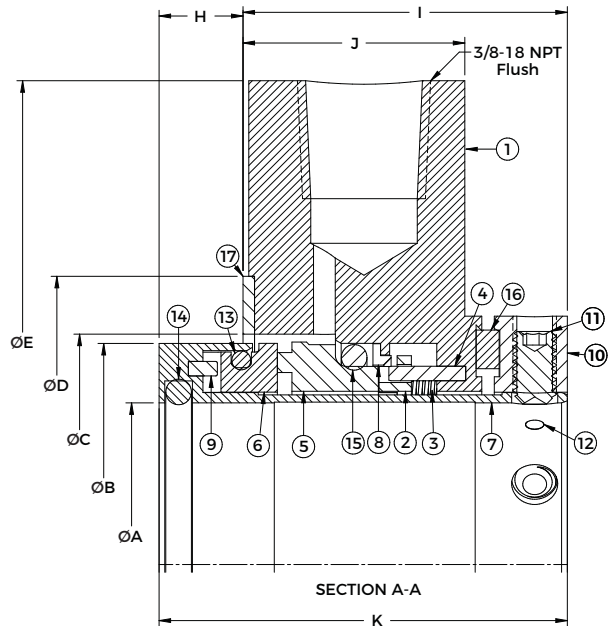
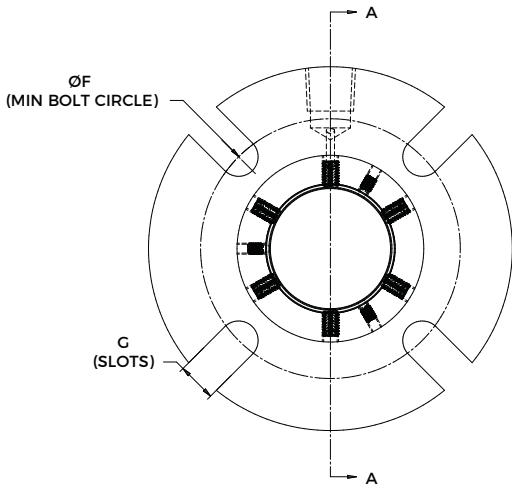
Proven Performance • Engineered for Quality and Precision

Fluid Sealing International designs, builds, and services precision sealing systems used in manufacturing, oil and gas pipelines, and most major industries. Whether you need standard mechanical seals or specially engineered custom seals, we can meet your specific needs and requirements.

Count on FSI for customer-driven designs for superior solutions.



Mechanical Seal
SERIES 1015



- | | | |
|-----------------------|-------------------|------------------|
| 01 GLAND PLATE | 07 SLEEVE | 13 O-RING |
| 02 THRUST DISC | 08 BACK UP RING | 14 O-RING |
| 03 SPRING | 09 PIN | 15 O-RING |
| 04 PIN | 10 DRIVE COLLAR | 16 SETTING PIECE |
| 05 STATIONARY FACE | 11 SET SCREW | 17 GASKET |
| 06 L-SEAT MATING RING | 12 LOCATOR SCREWS | |

STANDARD BORE											
ØA	ØB	ØC (MIN)	ØC (MAX)	ØD	ØE	F	G	H	I	J	K
1.125	1.664	1.744	2.003	2.378	4.240	2.444	0.438	0.487	1.728	1.177	2.215
1.250	1.816	1.896	2.253	2.628	4.250	2.687	0.563	0.487	1.728	1.177	2.215
1.375	1.925	2.005	2.313	2.688	4.375	2.747	0.563	0.487	1.728	1.177	2.215
1.500	2.150	2.230	2.510	2.885	4.875	2.944	0.563	0.487	1.728	1.177	2.215
1.625	2.335	2.415	2.623	2.998	4.990	3.057	0.563	0.487	1.728	1.177	2.215
1.750	2.400	2.480	2.752	3.127	5.250	3.186	0.563	0.487	1.728	1.177	2.215
1.875	2.525	2.605	2.873	3.248	5.250	3.307	0.563	0.487	1.728	1.177	2.215
2.000	2.650	2.730	3.003	3.378	5.490	3.437	0.563	0.487	1.728	1.177	2.215
2.125	2.748	2.828	3.345	3.720	5.750	3.784	0.688	0.487	1.728	1.177	2.215
2.250	2.908	2.988	3.442	3.817	6.000	3.881	0.688	0.487	1.728	1.177	2.215
2.375	3.033	3.113	3.594	3.969	6.000	4.033	0.688	0.487	1.728	1.177	2.215
2.500	3.158	3.238	3.753	4.128	6.480	4.192	0.688	0.487	1.728	1.177	2.215
2.625	3.278	3.358	4.046	4.421	6.750	4.485	0.688	0.487	1.728	1.177	2.215

BIG BORE											
ØA	ØB	ØC (MIN)	ØD	ØE	F	G	H	I	J	K	
1.125	1.664	2.500	3.248	4.490	3.310	0.440	0.487	1.728	1.177	2.215	
1.375	1.925	2.875	3.468	5.310	3.530	0.563	0.487	1.728	1.177	2.215	
1.750	2.400	3.500	4.438	6.310	4.500	0.563	0.487	1.728	1.177	2.215	
1.875	2.525	3.625	4.348	6.000	4.410	0.563	0.487	1.728	1.177	2.215	
2.125	2.748	3.875	4.750	7.130	4.812	0.688	0.487	1.728	1.177	2.215	
2.500	3.158	4.500	5.253	7.880	5.315	0.688	0.487	1.728	1.177	2.215	
2.625	3.278	4.625	5.313	7.000	5.440	0.688	0.487	1.728	1.177	2.215	



Fluid Sealing International
922 Second Avenue
Coraopolis, PA 15108

412-865-2101

www.worldfsi.net

Fluid Sealing International
7 Zinc Road
New Era Springs, 1159
Guateng Province
South Africa

011-8171112